

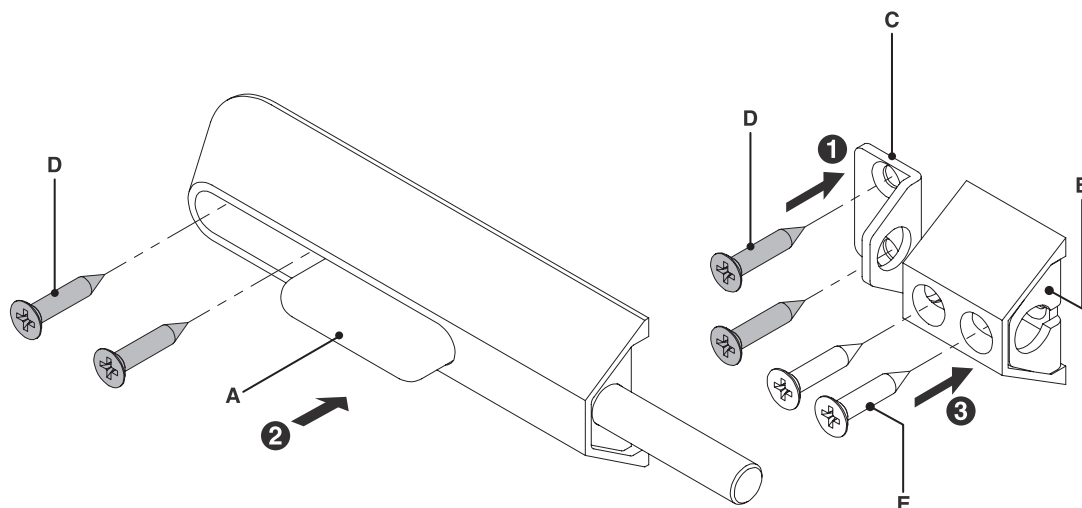
Fitting Instruction

components

- A : Main Unit 1pc
- B : Bolt Receiver 1pc
- C : Guide Plate 1pc
- D : Fixing Screw 4 pcs (*4x20 Flat Head Tapping Screw)
- E : Fixing Screw 2 pcs (*3.8x20 Flat Head Tapping Screw)

⚠ Attention

Before Installation, please ensure that all the fixing screws are secured tightly to the door and door frame.



1. Put the Main Unit (A) and Guide Plate (C) on the door face and Bolt Receiver (B) on the mounting location temporarily, and mark the pilot hole position.
2. Drill pilot holes $\Phi 2-2.5$ (mm).
3. Fix each part in the following order
 - ① Guide Plate (C) → ② Main Unit (A) → ③ Bolt Receiver (B)

Notes

- 1 Please read this instruction well and be sure to install the product correctly. After installation, user shall keep this instruction.
- 2 Please pay attention, not to drop and not to damage the product by fixing tools and etc. while installing.
- 3 Check the installation position before drilling the fixing face.
- 4 Do not use impact drill because it may become hard to remove.
- 5 Do not remodel the product. Do not use the parts except we specify.
- 6 Do not use for a purpose other than the intended use of the product.
- 7 After installation, please confirm whether the product was correctly installed and tightly fixed.
- 8 Avoid installing the product where directly wet with water.

Maintenance

- 1 Check the product regularly and tighten the screw again if it was loose.
- 2 Wipe with soft and dry cloth to clean products.
To remove tough stains use water with soft cloth or sponge, and then wipe enough to dry up.

Regular Cleaning	To remove tough stain	DO NOT USE
Wipe with soft & dry cloth. 	Use water to remove tough stain.  Then, dry surface with soft cloth. 	