

Flush Pull

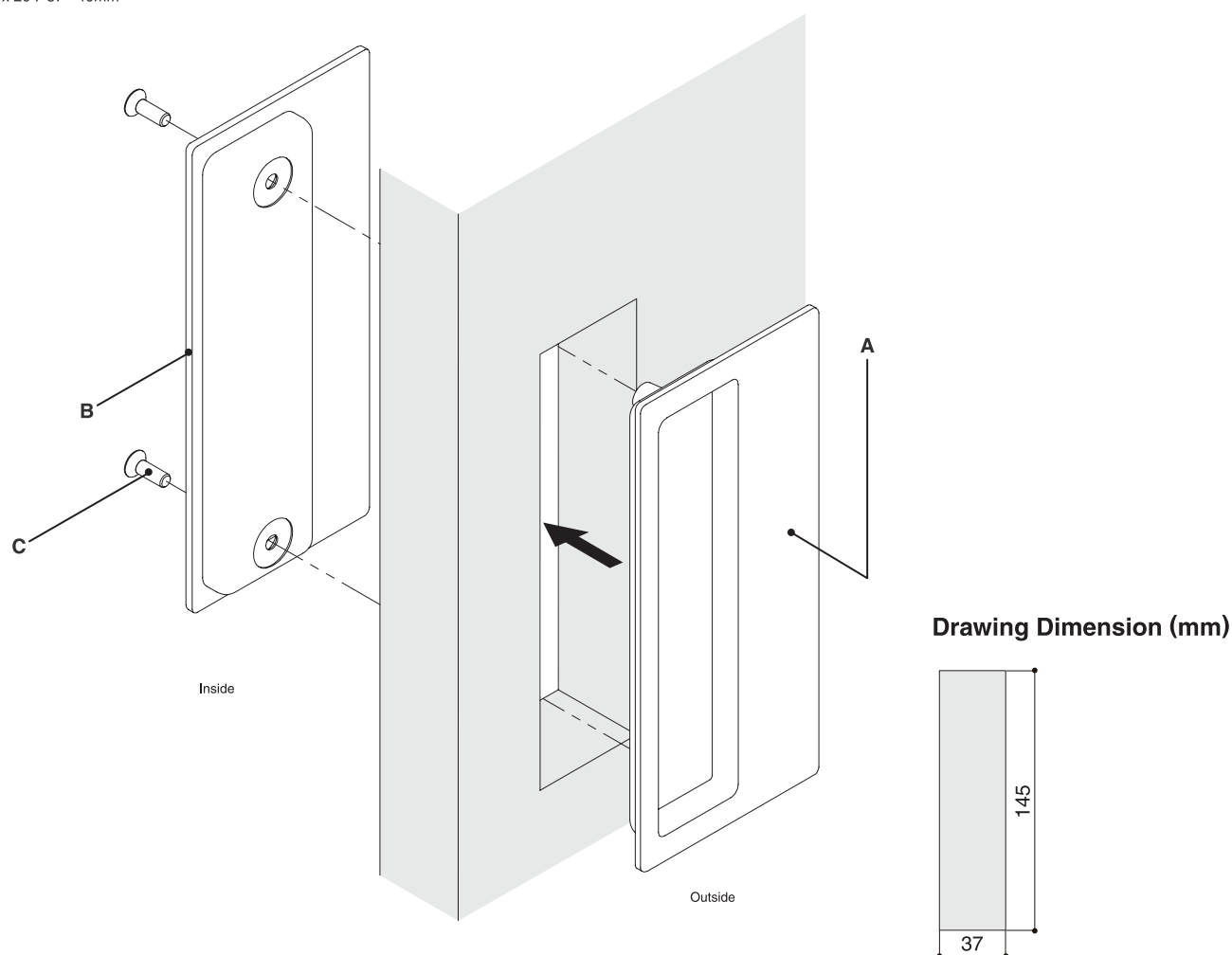
Agaho 400



Fitting Instruction

components

- A** : External Flush Pull 1pc
 - B** : Internal Flush Pull 1pc
 - C** : Fixing Screw 2pcs Each
- *Fixing Screw : Door Thickness
M4 x 12 : 30 - 32mm
M4 x 16 : 33 - 36mm
M4 x 20 : 37 - 40mm



Notes

- 1 Please read this instruction well and be sure to install the product correctly. After installation, user shall keep this instruction.
- 2 Please pay attention, not to drop and not to damage the product by fixing tools and etc. while installing.
- 3 Check the installation position before drilling the fixing face.
- 4 Do not use impact drill because it may become hard to remove.
- 5 Do not remodel the product. Do not use the parts except we specify.
- 6 Do not use for a purpose other than the intended use of the product.
- 7 After installation, please confirm whether the product was correctly installed and tightly fixed.
- 8 Avoid installing the product where directly wet with water.

Maintenance

- 1 Check the product regularly and tighten the screw again if it was loose.
- 2 Wipe with soft and dry cloth to clean products.
To remove tough stains use water with soft cloth or sponge, and then wipe enough to dry up.

| Regular Cleaning | To remove tough stain | DO NOT USE |
|---------------------------------|--|---|
| Wipe with soft & dry cloth. | Use water to remove tough stain. Then, dry surface with soft cloth. | Detergent, Abrasives, Sandpaper, Hard/Metal Brush |



WEST inx Ltd.

3-18-3 Shimeno, Neyagawa city, Osaka 572-0077 JAPAN

E-mail : info@west-inx.com

Website: www.west-inx.com

EU-SD01100401