

# Cabinet Knob

# Agaho 37P



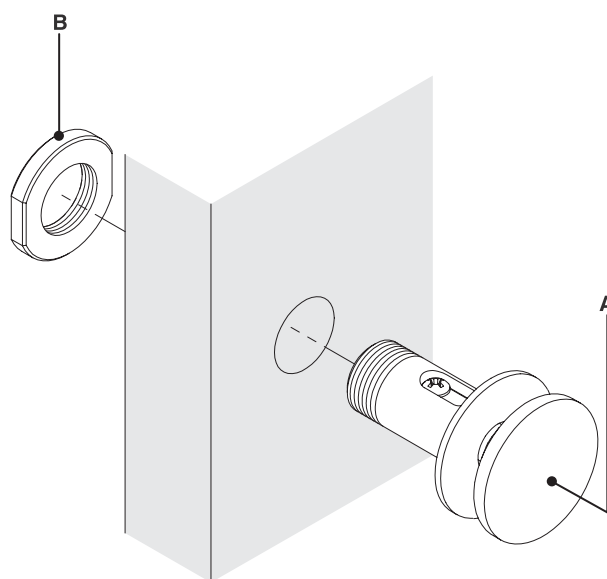
## Fitting Instruction

### components

A : Cabinet Knob 1pc

B : Nut 1pc

\*Only for cabinet thickness 23-27mm



\*Drill a bolt through hole  $\Phi$ 16mm

### ⚠ Attention

Do not use the product as a step and never hang on to it. These improper use causes the injury.

### Notes

- 1 Please read this instruction well and be sure to install the product correctly. After installation, user shall keep this instruction.
- 2 Please pay attention, not to drop and not to damage the product by fixing tools and etc. while installing.
- 3 Check the installation position before drilling the fixing face.
- 4 Do not use impact drill because it may become hard to remove.
- 5 Do not remodel the product. Do not use the parts except we specify.
- 6 Do not use for a purpose other than the intended use of the product.
- 7 After installation, please confirm whether the product was correctly installed and tightly fixed.
- 8 Avoid installing the product where directly wet with water.

### Maintenance

- 1 Check the product regularly and tighten the screw again if it was loose.
- 2 Wipe with soft and dry cloth to clean products.  
To remove tough stains use water with soft cloth or sponge, and then wipe enough to dry up.

| Regular Cleaning                | To remove tough stain  | DO NOT USE |
|---------------------------------|--|------------|
| Wipe with soft & dry cloth.<br> | Use water to remove tough stain.<br><br>Then, dry surface with soft cloth. |            |



WEST inx Ltd.

3-18-3 Shimeno, Neyagawa-city, Osaka 572-0077 JAPAN

E-mail : info@west-inx.com

Website: www.west-inx.com

EU-PU04100401