

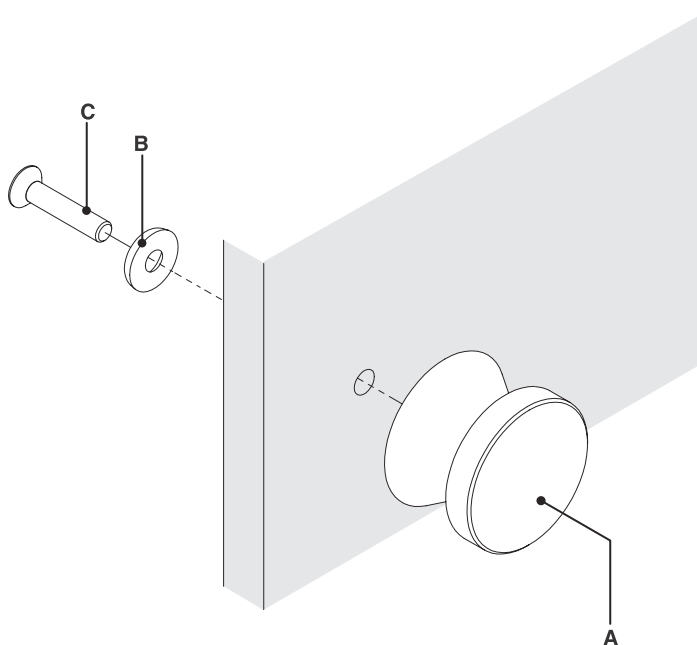
## Fitting Instruction

### components

- A : Cabinet Knob 1pc
- B : Washer 1pc
- C : Fixing Screw 1pc Each

### \*Cabinet Thickness

Model No.	M4 x 20	M4 x 30
10P	4-14mm	14-24mm
11P/12P	6-14mm	16-24mm
17P/18P/19P/20P	3-14mm	13-24mm
25P	5-10mm	15-20mm



\*Drill a bolt through hole  $\Phi 5\text{mm}$

### ⚠ Attention

Do not use the product as a step and never hang on to it. These improper use causes the injury.

This product is suitable only for a wooden furniture. Be careful not to injure by a stable pin on the back of the product when installing.

### Notes

- 1 Please read this instruction well and be sure to install the product correctly. After installation, user shall keep this instruction.
- 2 Please pay attention, not to drop and not to damage the product by fixing tools and etc. while installing.
- 3 Check the installation position before drilling the fixing face.
- 4 Do not use impact drill because it may become hard to remove.
- 5 Do not remodel the product. Do not use the parts except we specify.
- 6 Do not use for a purpose other than the intended use of the product.
- 7 After installation, please confirm whether the product was correctly installed and tightly fixed.
- 8 Avoid installing the product where directly wet with water.

### Maintenance

- 1 Check the product regularly and tighten the screw again if it was loose.
- 2 Wipe with soft and dry cloth to clean products.  
To remove tough stains use water with soft cloth or sponge, and then wipe enough to dry up.

Regular Cleaning	To remove tough stain	DO NOT USE
Wipe with soft & dry cloth. 	Use water to remove tough stain.  Then, dry surface with soft cloth. 	