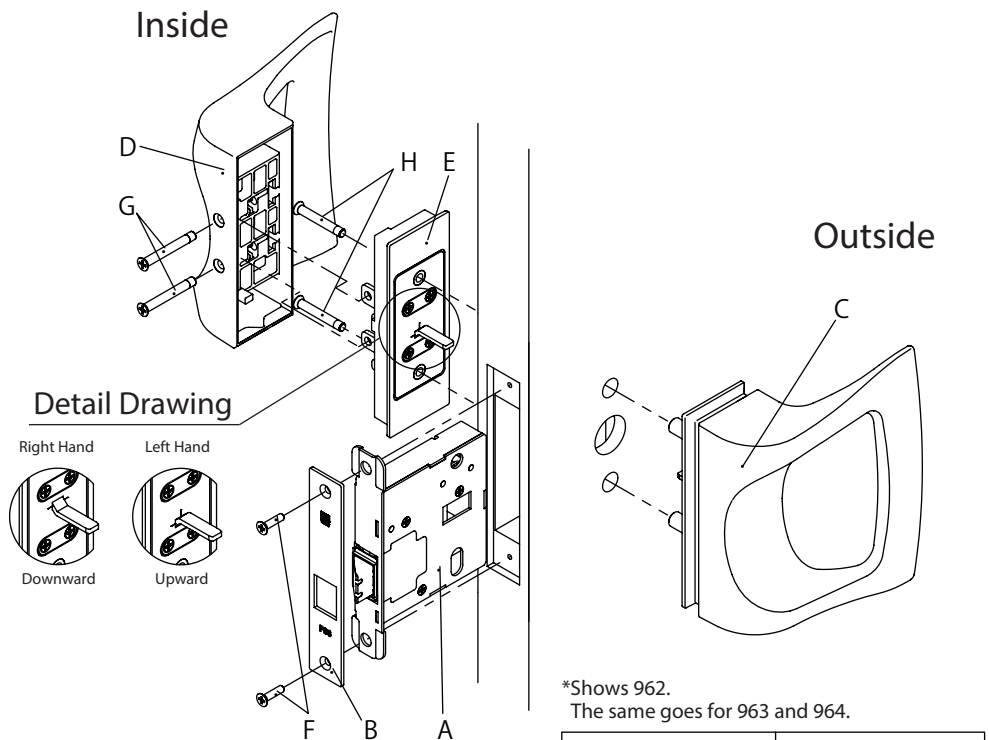


Fitting Instruction

components

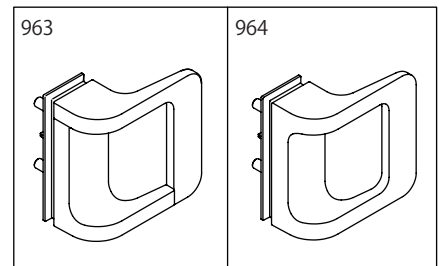
- A: Lock Case 1pc
- B: Front Panel 1pc
- C: Outer Handle 1pc
- D: Inner Handle 1pc
- E: Inner Rosette 1pc
- F: Fixing Screw 2pcs
! (For Steel Door:M4x16 Flat Head Screw,For Wooden Door:M4x20 Flat Head Tapping Screw)
- G: Fixing Screw 2pcs
(M5x40 Flat Head Screw D=8)
- H: Fixing Screw 2pcs
(M5x35 Flat Head Screw D=8)

*A,B and F are not included in fixed handle.



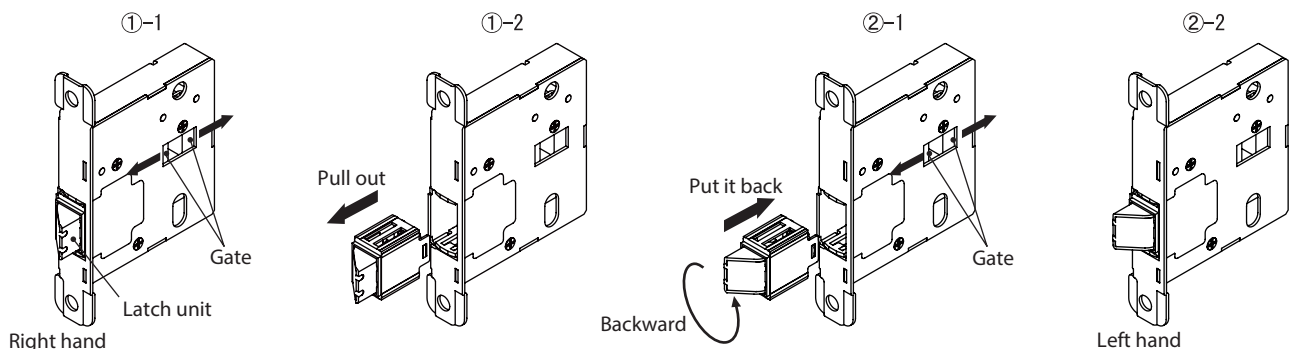
How to install

- 1.Install lock case(A) and front panel(B) with fixing screw(F).
*Make sure direction of the latch.
- 2.Install outer handle(C) and inner rosette(E) and fix it by fixing screw(H).
*Make sure direction of the inner rosette.
*Make sure lock case and rosettes are installed horizontally otherwise you will not be able to close and open the door properly.
- 3.Place inner handle(D) onto inner rosette(E) and fix it by fixing screw(G).

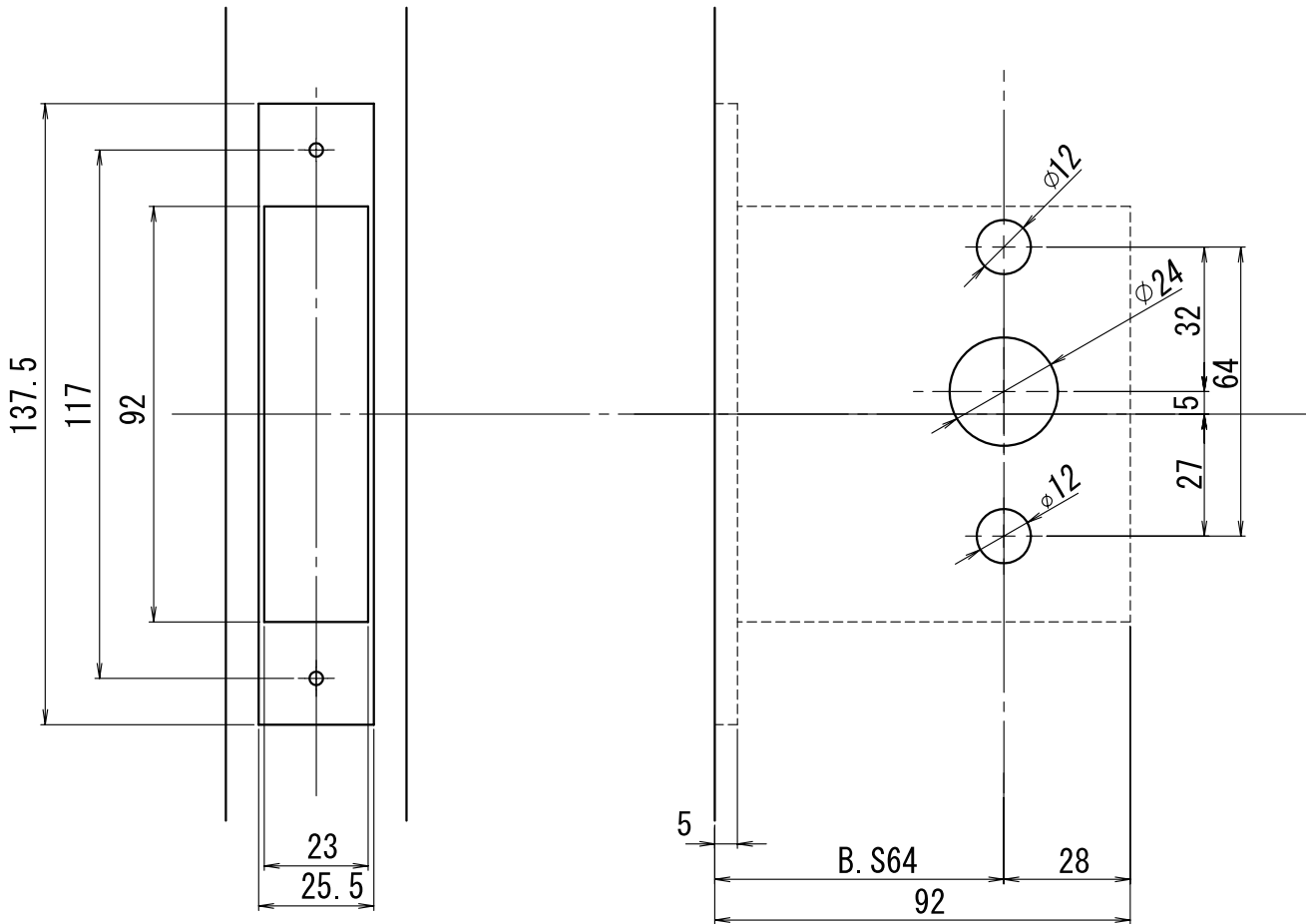


How to change the direction of the latch unit

- 1.Remove front panel and spread out the gate to pull out the latch unit.
- 2.Turn backward the latch unit and put it back.



Cut-Out Dimensions(mm)



⚠ Attention

Do not use the product as a step and never hang on to it. These improper use causes the injury.
Make sure to install the product to the place where all the screws hold tightly.

Notes

- 1 Please read this instruction well and be sure to install the product correctly. After installation, user shall keep this instruction.
- 2 Please pay attention, not to drop and not to damage the product by fixing tools and etc. while installing.
- 3 Check the installation position before drilling the fixing face.
- 4 Do not use impact drill because it may become hard to remove.
- 5 Do not remodel the product. Do not use the parts except we specify.
- 6 Do not use for a purpose other than the intended use of the product.
- 7 After installation, please confirm whether the product was correctly installed and tightly fixed.
- 8 Avoid installing the product where directly wet with water.

Maintenance

- 1 Check the product regularly and tighten the screw again if it was loose.
- 2 Wipe with soft and dry cloth to clean products.
To remove tough stains use water with soft cloth or sponge, and then wipe enough to dry up.

| Regular Cleaning | To remove tough stain | DO NOT USE |
|---|--|---|
| Wipe with soft & dry cloth.  | Use water to remove tough stain.   Then, dry surface with soft cloth. |  |



WEST inx Ltd.

3-18-3 Shimeno, Neyagawa-city, Osaka 572-0077 JAPAN

E-mail : info@west-inx.com

Website: <https://west-lock.co.jp/en>

EU-PP01190305-01/02