

Lever Handle

Agaho S-line

209 / 210 / 211 / 212 / 213 / 214 / 215 /
216 / 217 / 218 / 219 / 238 / 239


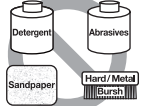
Fitting Instruction

⚠ Attention

- 1 Please read this instruction well and be sure to install the product correctly.
After installation, user shall keep this instruction.
- 2 Please pay attention, not to drop and not to damage the product by fixing tools and etc. while installing.
- 3 Check the installation position before processing the door.
- 4 Do not use impact drill because the screw may become hard to remove.
- 5 Do not remodel the product. Do not use the parts except we specify.
- 6 Do not use for a purpose other than the intended use of the product.
- 7 Please confirm whether the product can be properly operated after installation.
- 8 Handles may not be operated smoothly when the door has been warped or the lock case has been installed at improper position.

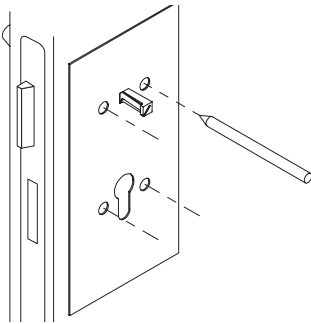
Maintenance

- 1 Check the product regularly and tighten the screw again if it was loose.
- 2 Wipe with soft and dry cloth to clean products.
To remove tough stains use water with soft cloth or sponge, and then wipe enough to dry up.

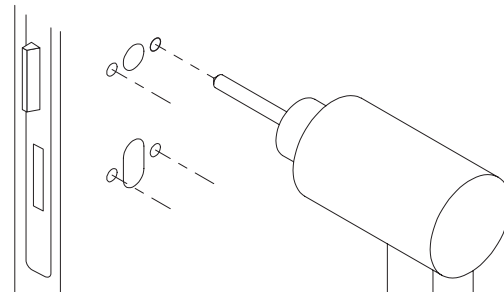
Regular Cleaning	To remove tough stain	DO NOT USE
<p>Wipe with soft & dry cloth.</p> 	<p>Use water to remove tough stain.</p>  <p>Then, dry surface with soft cloth.</p>	<p>DO NOT USE</p> 

Lever Handle

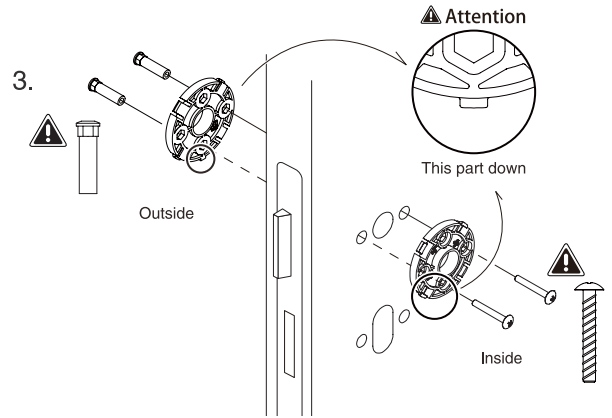
1.



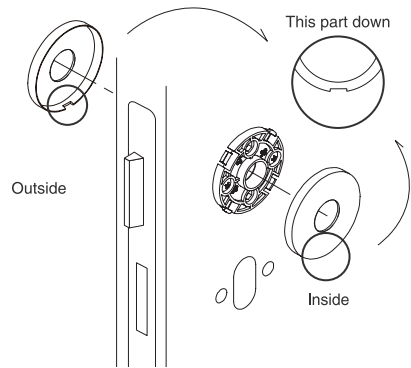
2.



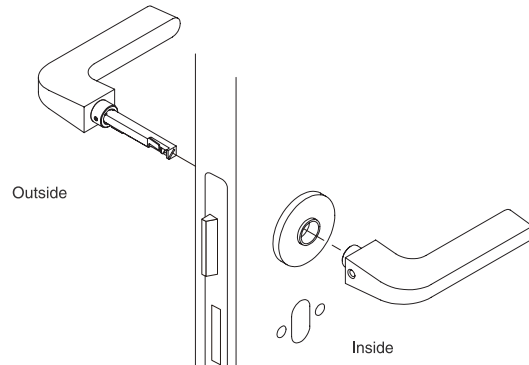
3.



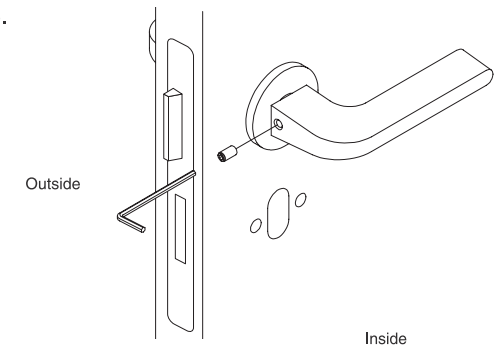
4.



5.

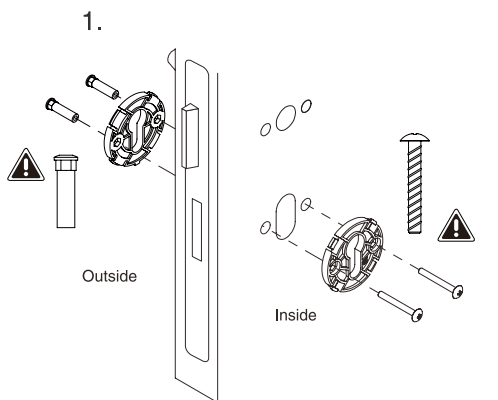


6.

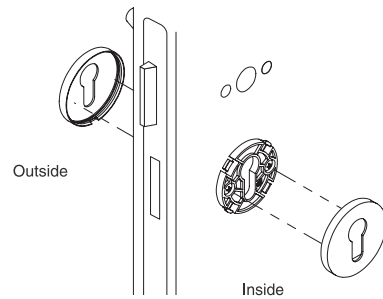


Escutcheon (950 / 957)

1.

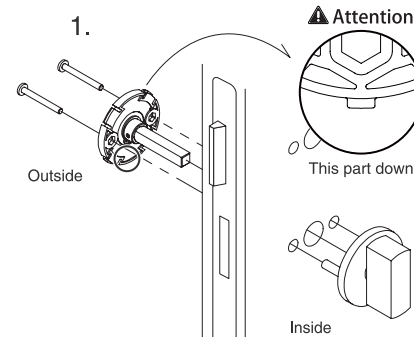


2.



Bathroom Set (951 / 952)

1.



2.

