

Door Chain Agaho 10K



Fitting Instruction

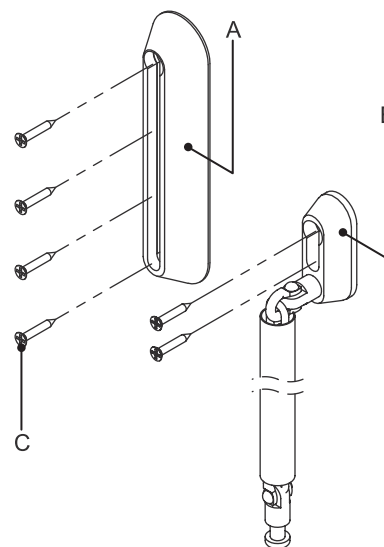
components

- A : Chain Track 1pc
- B : Base Unit 1pc
- C : Fixing Screw 6pcs

1. With attention to the following guide "About Mounting Position", place Chain Track (A) on the door face and Base Unit (B) on the door frame, and set the mounting position.
2. Mark the point of screws, and drill pilot holes $\Phi 2 \sim 2.5$ (mm).
3. Fix Chain Track (A) and Base Unit (B) using Fixing Screw (C).

⚠ Attention

After the installation, confirm that it cannot be unchained from the outside.



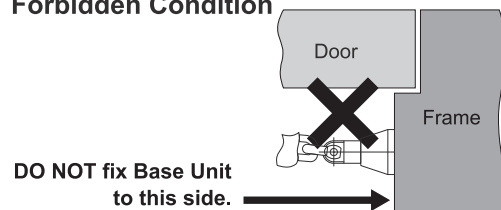
About Mounting Position

With the door closed, confirm that the chain-head can be inserted smoothly into the inlet of Chain Track with the chain running out of slack.

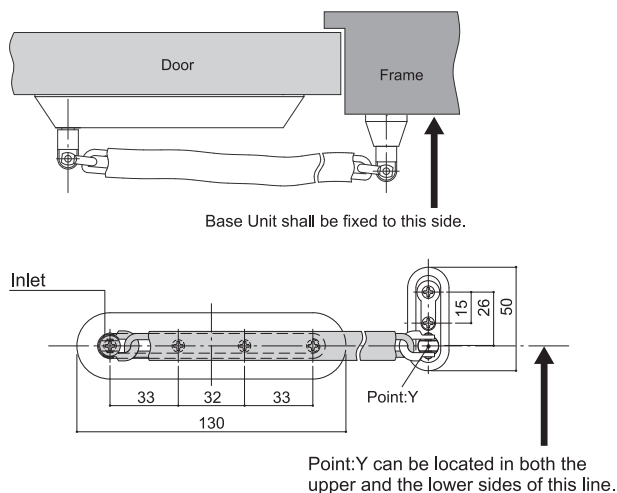
(Note 1) Especially when the door opens outward, be sure NOT to mount Base Unit to the frame face perpendicular to the door surface.

(Note 2) If Base Unit is located with the chain slack, it can be unchained from the outside.

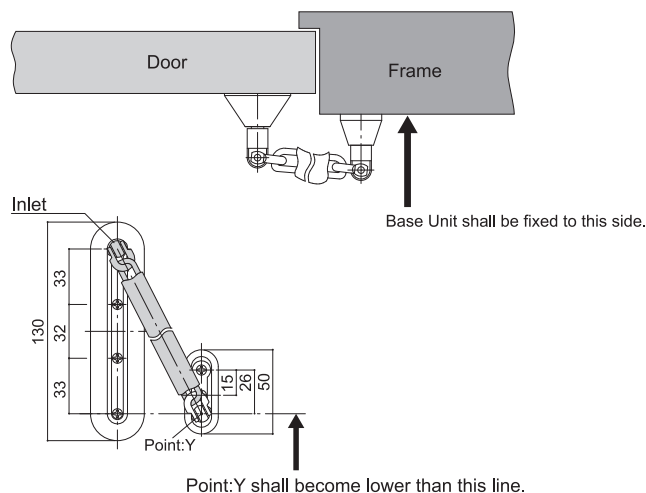
⚠ Forbidden Condition



Horizontally Use



Vertically Use



Notes

- 1 Please read this instruction well and be sure to install the product correctly. After installation, user shall keep this instruction.
- 2 Please pay attention, not to drop and not to damage the product by fixing tools and etc. while installing.
- 3 Check the installation position before drilling the fixing face.
- 4 Do not use impact drill because it may become hard to remove.
- 5 Do not remodel the product. Do not use the parts except we specify.
- 6 Do not use for a purpose other than the intended use of the product.
- 7 After installation, please confirm whether the product was correctly installed and tightly fixed.
- 8 Avoid installing the product where directly wet with water.

Maintenance

- 1 Check the product regularly and tighten the screw again if it was loose.
- 2 Wipe with soft and dry cloth to clean products.
To remove tough stains use water with soft cloth or sponge, and then wipe enough to dry up.

Regular Cleaning	To remove tough stain	DO NOT USE
Wipe with soft & dry cloth. 	Use water to remove tough stain. Then, dry surface with soft cloth.	 DO NOT USE