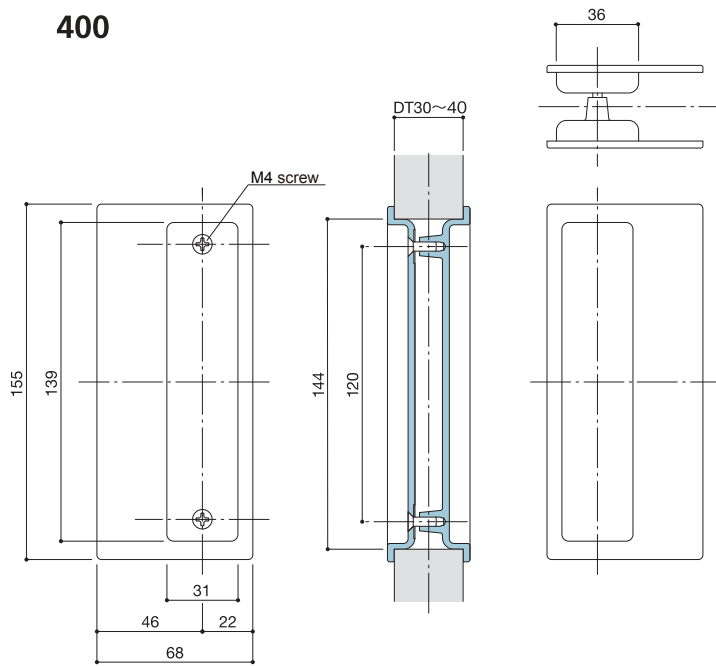
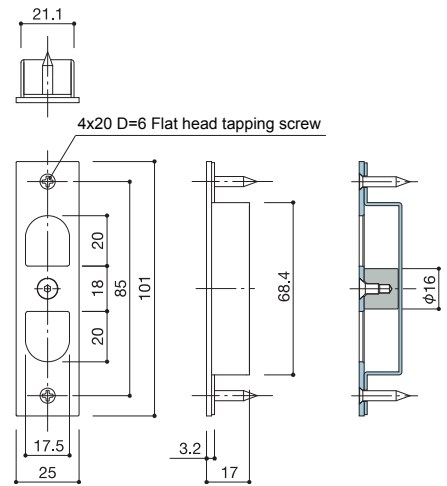


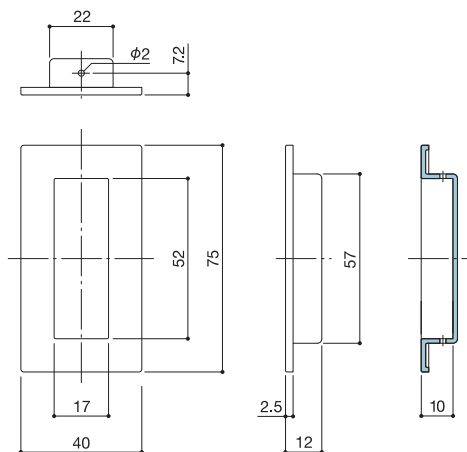
### 400



### 10B



### 416

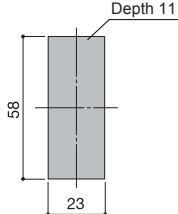


416/400

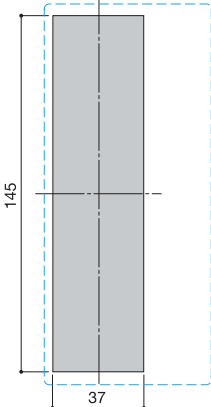
10B

Cut out

416 Plain



400 Plain



10B Edge pull

