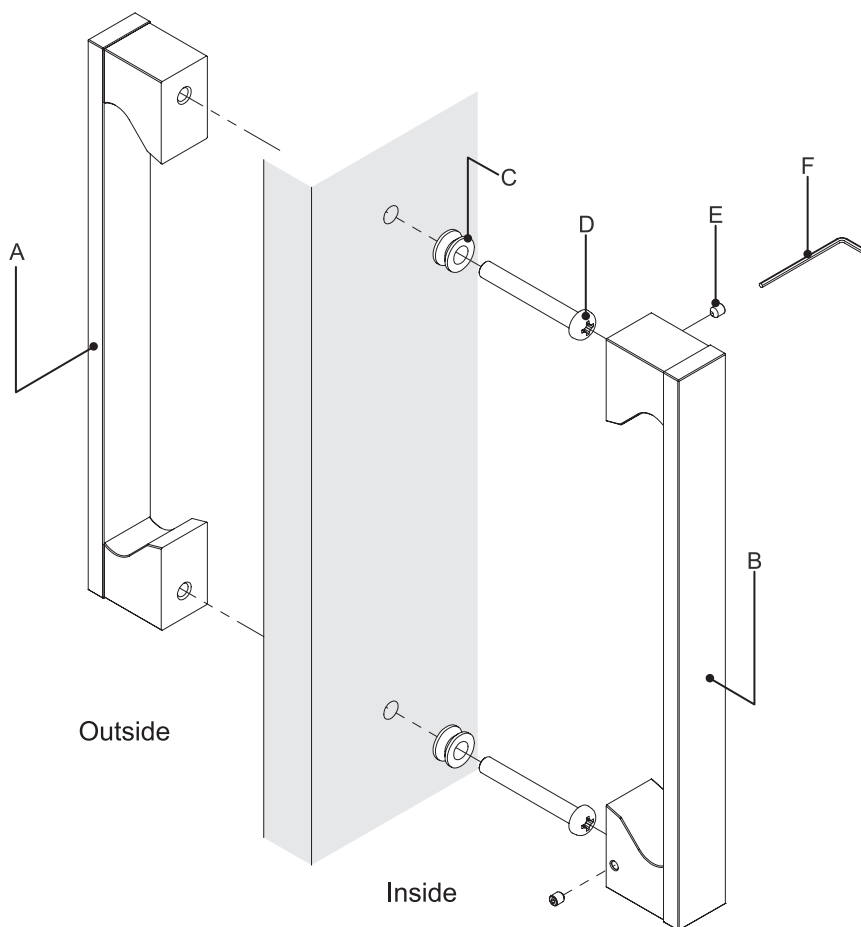


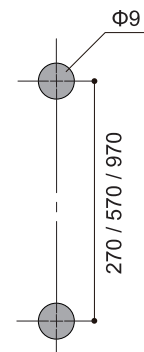
Fitting Instruction

components

- A : External Handle 1pc
- B : Internal Handle 1pc
- C : Grub Screw Receive Nut 2pcs
- D : Connecting Bolt 2pcs
- E : Grub Screw 2pcs
- F : Allen Key 1pc



Cut-Out Dimension (mm)



Fixing Centre
 L = 300 mm: 270 mm
 L = 600 mm: 570 mm
 L = 1,000 mm: 970 mm

*Shows 9401. The same goes for 9402.

⚠ Attention

Do not use the product as a step and never hang on to it. Improper use may cause injury.

Notes

- 1 Please read this instruction well and be sure to install the product correctly. After installation, user shall keep this instruction.
- 2 Please pay attention, not to drop and not to damage the product by fixing tools and etc. while installing.
- 3 Check the installation position before drilling the fixing face.
- 4 Do not use impact drill because it may become hard to remove.
- 5 Do not remodel the product. Do not use the parts except we specify.
- 6 Do not use for a purpose other than the intended use of the product.
- 7 After installation, please confirm whether the product was correctly installed and tightly fixed.
- 8 Avoid installing the product where directly wet with water.

Maintenance

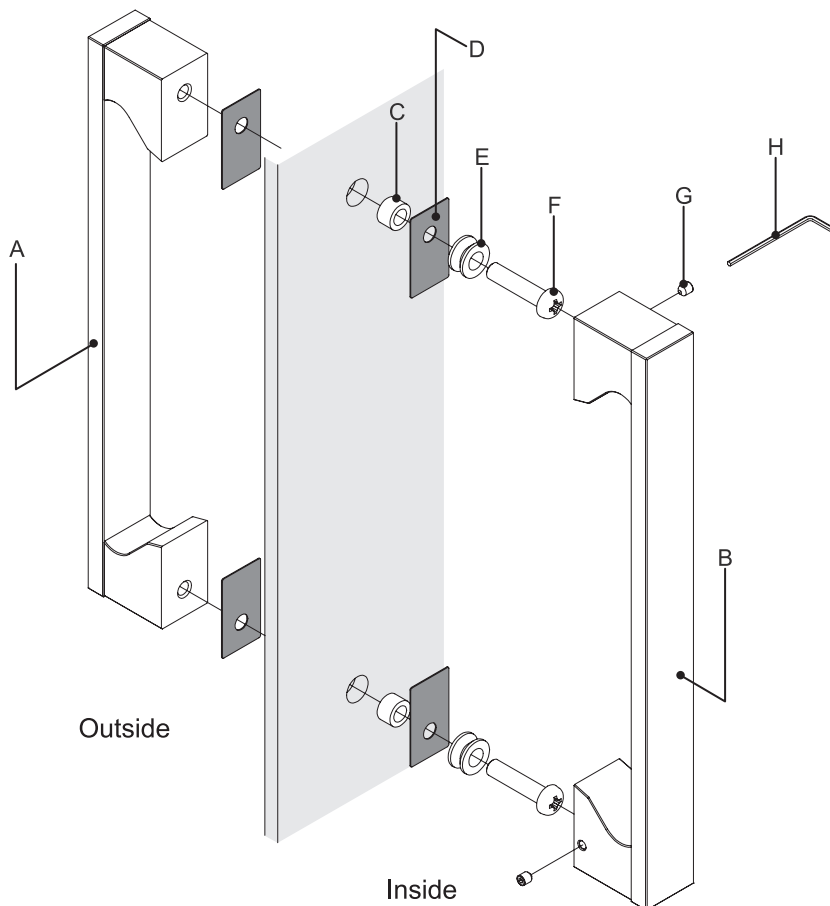
- 1 Check the product regularly and tighten the screw again if it was loose.
- 2 Wipe with soft and dry cloth to clean products.
 To remove tough stains use water with soft cloth or sponge, and then wipe enough to dry up.

Regular Cleaning	To remove tough stain	DO NOT USE
Wipe with soft & dry cloth. 	Use water to remove tough stain. Then, dry surface with soft cloth.	 Detergent, Abrasives, Sandpaper, Hard / Metal Brush

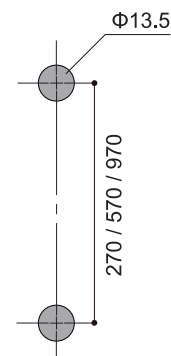
Fitting Instruction

components

- A : External Handle 1pc
- B : Internal Handle 1pc
- C : Protective Sleeve 2pcs
- D : Spacer 4pcs
- E : Grub Screw Receive Nut 2pcs
- F : Connecting Bolt 2pcs
- G : Grub Screw 2pcs
- H : Allen Key 1pc



Cut-Out Dimension (mm)



Fixing Centre
 L = 300 mm: 270 mm
 L = 600 mm: 570 mm
 L = 1,000 mm: 970 mm

*Shows 9401. The same goes for 9402.

⚠ Attention

Do not use the product as a step and never hang on to it. Improper use may cause injury.

Notes

- 1 Please read this instruction well and be sure to install the product correctly. After installation, user shall keep this instruction.
- 2 Please pay attention, not to drop and not to damage the product by fixing tools and etc. while installing.
- 3 Check the installation position before drilling the fixing face.
- 4 Do not use impact drill because it may become hard to remove.
- 5 Do not remodel the product. Do not use the parts except we specify.
- 6 Do not use for a purpose other than the intended use of the product.
- 7 After installation, please confirm whether the product was correctly installed and tightly fixed.
- 8 Avoid installing the product where directly wet with water.

Maintenance

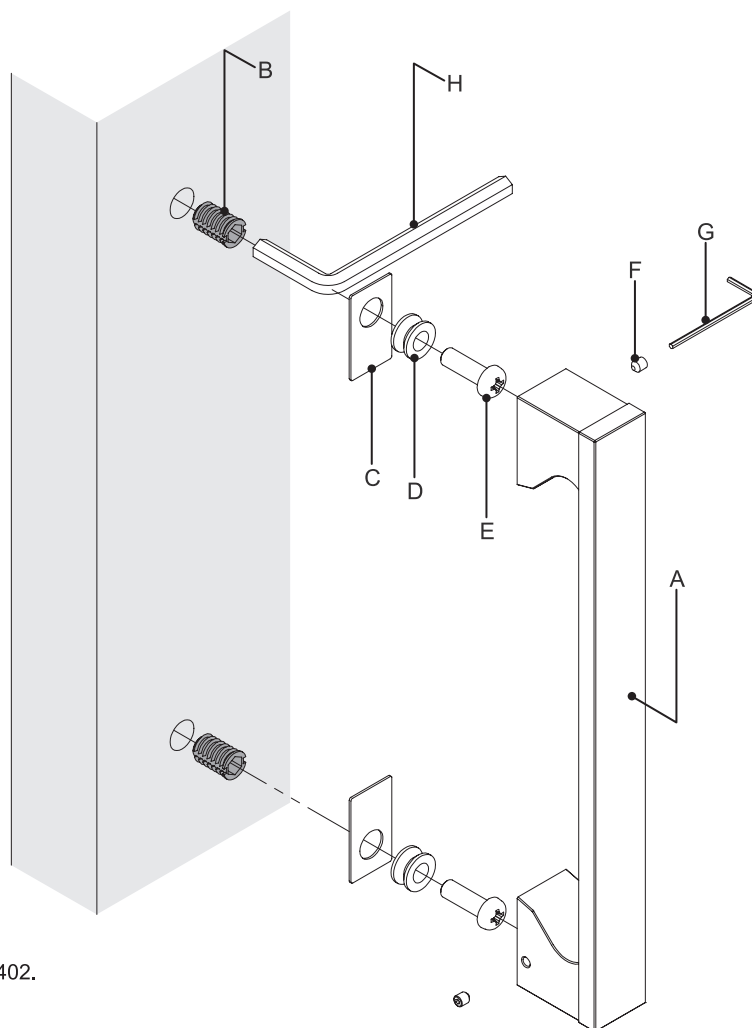
- 1 Check the product regularly and tighten the screw again if it was loose.
- 2 Wipe with soft and dry cloth to clean products.
 To remove tough stains use water with soft cloth or sponge, and then wipe enough to dry up.

Regular Cleaning	To remove tough stain	DO NOT USE
Wipe with soft & dry cloth. 	Use water to remove tough stain. Then, dry surface with soft cloth.	

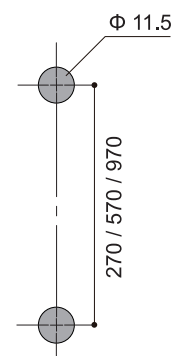
Fitting Instruction

components

- A : Pull Handle 1pc
- B : Self-tapping Insert 2pcs
- C : Spacer 2pcs
- D : Grub Screw Receive Nut 2pcs
- E : Connecting Bolt 2pcs
- F : Grub Screw 2pcs
- G : Allen Key Small 1pc
- H : Allen Key Large 1pc



Cut-Out Dimension (mm)



Fixing Centre

- L = 300 mm: 270 mm
- L = 600 mm: 570 mm
- L = 1,000 mm: 970 mm

*Shows 9401. The same goes for 9402.

⚠ Attention

Do not use the product as a step and never hang on to it. Improper use may cause injury.

Notes

- 1 Please read this instruction well and be sure to install the product correctly. After installation, user shall keep this instruction.
- 2 Please pay attention, not to drop and not to damage the product by fixing tools and etc. while installing.
- 3 Check the installation position before drilling the fixing face.
- 4 Do not use impact drill because it may become hard to remove.
- 5 Do not remodel the product. Do not use the parts except we specify.
- 6 Do not use for a purpose other than the intended use of the product.
- 7 After installation, please confirm whether the product was correctly installed and tightly fixed.
- 8 Avoid installing the product where directly wet with water.

Maintenance

- 1 Check the product regularly and tighten the screw again if it was loose.
- 2 Wipe with soft and dry cloth to clean products.
To remove tough stains use water with soft cloth or sponge, and then wipe enough to dry up.

Regular Cleaning	To remove tough stain	DO NOT USE
Wipe with soft & dry cloth. 	Use water to remove tough stain.  Then, dry surface with soft cloth.	