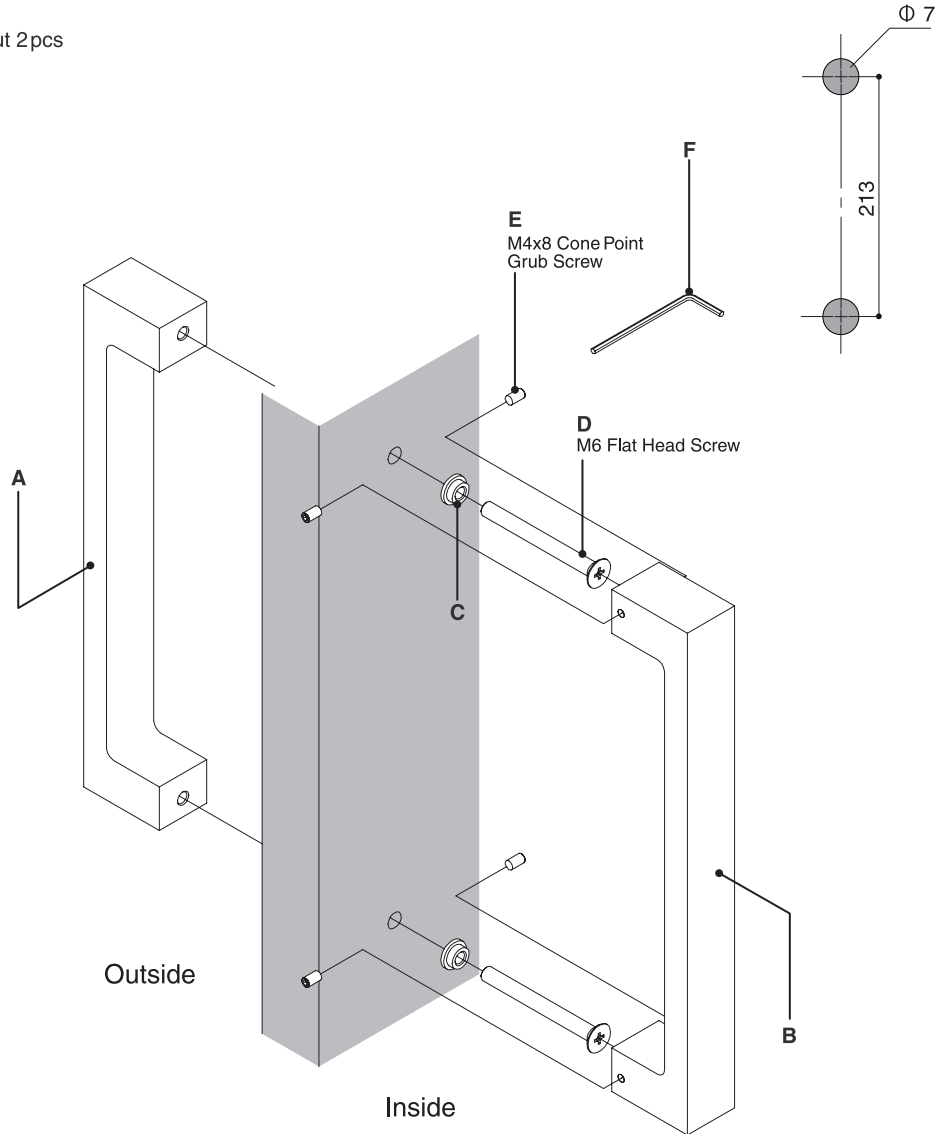


Fitting Instruction

components

- A : External Handle 1pc
- B : Internal Handle 1pc
- C : Grub Screw Receive Nut 2pcs
- D : Connecting Bolt 2pcs
- E : Grub Screw 4pcs
- F : Allen Key 1pc

Cut-Out Dimension (mm)



⚠ Attention


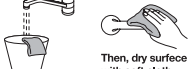
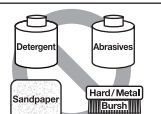
Do not use the product as a step and never hang on to it. Improper use may causes injury.

Notes

- 1 Please read this instruction well and be sure to install the product correctly. After installation, user shall keep this instruction.
- 2 Please pay attention, not to drop and not to damage the product by fixing tools and etc. while installing.
- 3 Check the installation position before drilling the fixing face.
- 4 Do not use impact drill because it may become hard to remove.
- 5 Do not remodel the product. Do not use the parts except we specify.
- 6 Do not use for a purpose other than the intended use of the product.
- 7 After installation, please confirm whether the product was correctly installed and tightly fixed.
- 8 Avoid installing the product where directly wet with water.

Maintenance

- 1 Check the product regularly and tighten the screw again if it was loose.
- 2 Wipe with soft and dry cloth to clean products.
To remove tough stains use water with soft cloth or sponge, and then wipe enough to dry up.

| Regular Cleaning | To remove tough stain | DO NOT USE |
|---|---|---|
| Wipe with soft & dry cloth.  | Use water to remove tough stain.  Then, dry surface with soft cloth. |  |