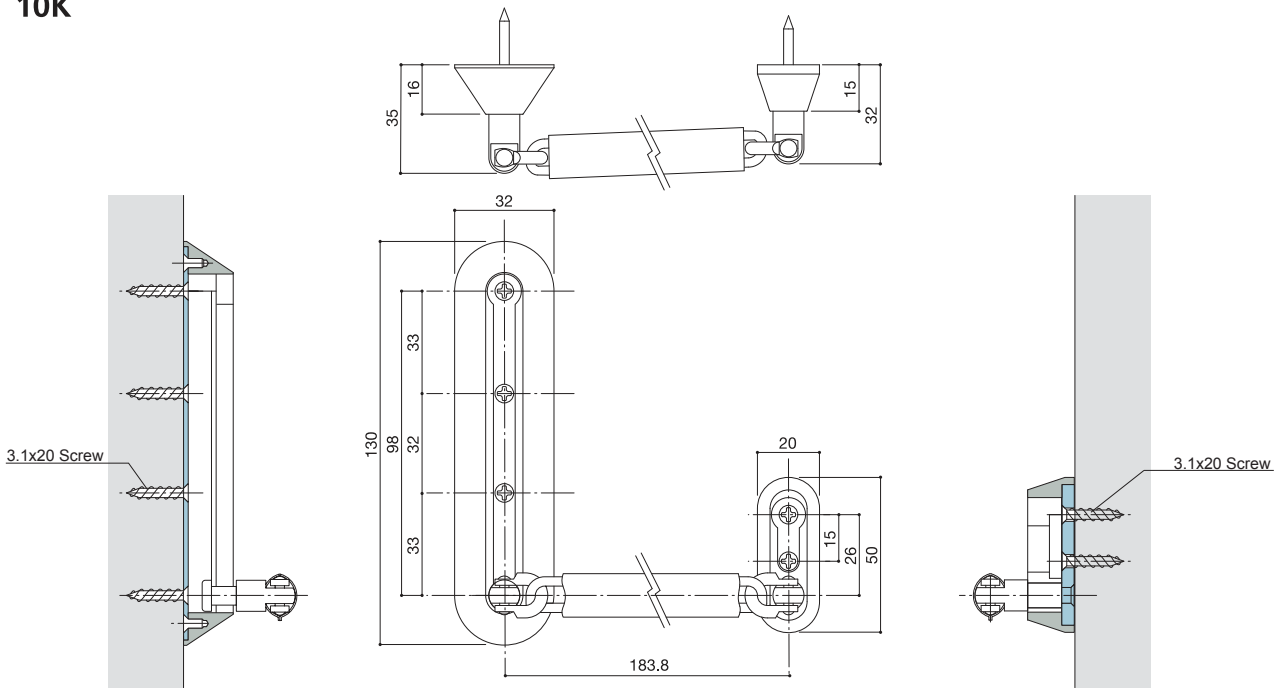


# Chain Lock

## 10K

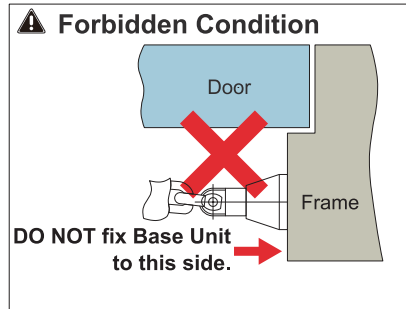


### About Mounting Position

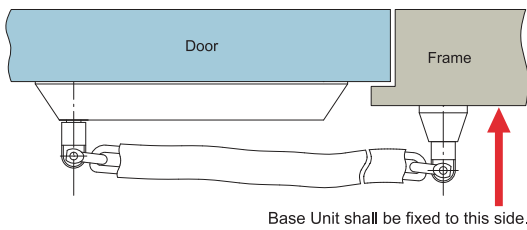
With the door closed, confirm that the chain-head can be inserted smoothly into the inlet of Chain Track with the chain running out of slack.

(Note 1) Especially when the door opens outward, be sure NOT to mount Base Unit to the frame face perpendicular to the door surface.

(Note 2) If Base Unit is located with the chain slack, it can be unchained from the outside.



### Horizontally Use



### Vertically Use

