

Sliding Door Lock Set

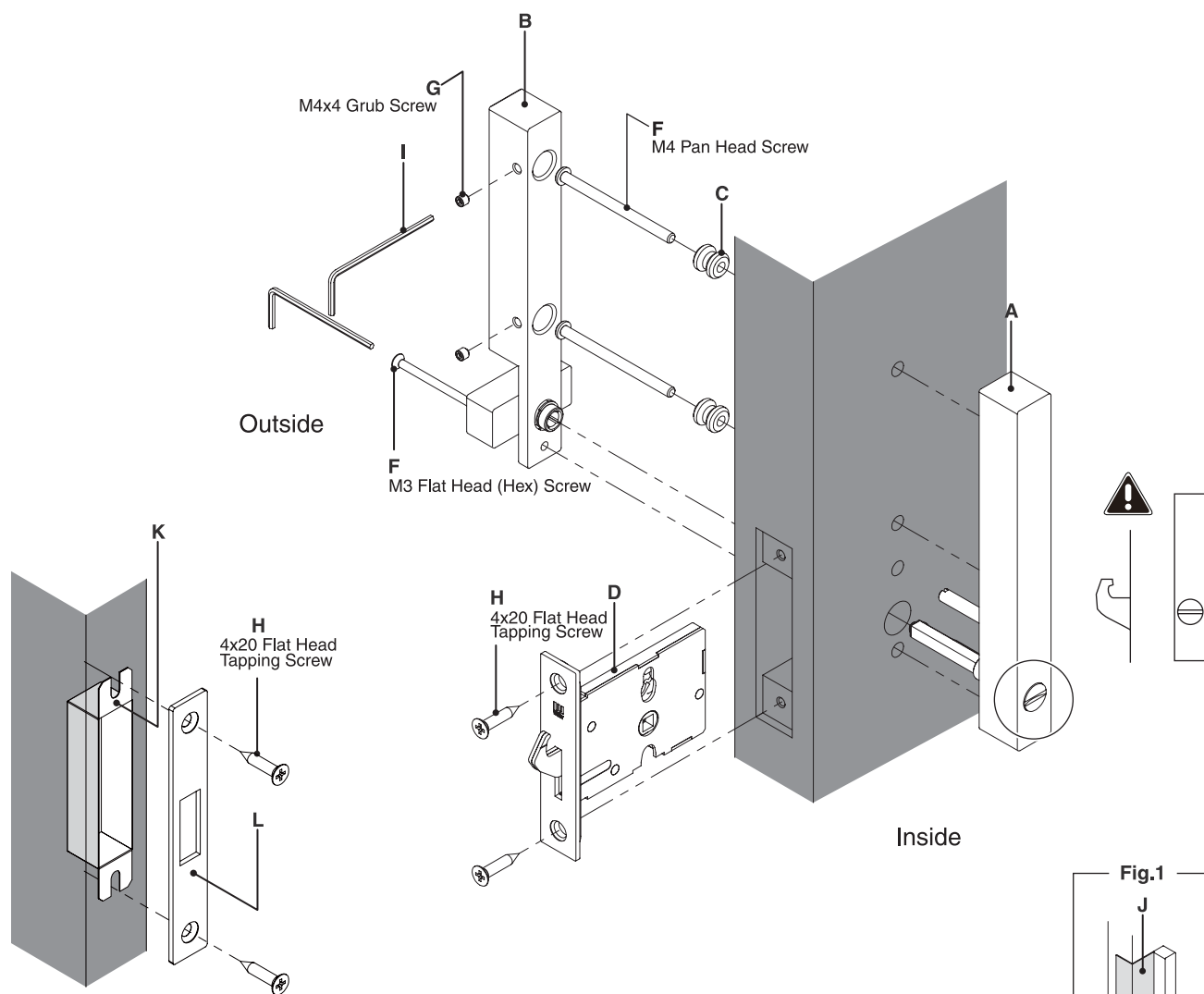
Agaho 435L



Fitting Instruction

components

- | | |
|--|-------------------------------|
| A : External Pull 1pc | G : Grub Screw 2 pcs |
| B : Internal Pull 1pc | H : Fixing Screw 4 pcs |
| C : Grub Screw Receive Nut 2pcs | I : Allen Key 1pc |
| D : Lock Case 1pc | J : Jig 1pc |
| E : Fixing Bolt 2pcs | K : Striking Box 1pc |
| F : Connecting Screw 1pc | L : Striking Plate 1pc |



1. Refer to the Cut-Out dimensions on the back, cut out the pockets and drill bolt through holes.
2. Fix Lock Case (D) to the door with Fixing Screw (H).
3. Attach the Jig (J) on the door edge (see Fig. 1), and place External Pull (A) with its spindles passing through Lock Case (D).
4. Fix External Pull (A) with Fixing Bolt (E) and Grub Screw Receive Nut (C).
5. Place Internal Pull (B) over the Grub Screw Receive Nut (C), then fix Grub Screw (G) and Connecting Screw (F) using Allen Key (I).
6. Fix Striking Box (K) and Striking Plate (L) to the door frame with Fixing Screw (H).
7. Confirm that the lock functions properly.

Notes

Do not use the product as a step and never hang on to it. These improper use causes the injury.



WEST inx Ltd.

3-18-3 Shimeno, Neyagawa-city, Osaka 572-0077 JAPAN

E-mail : info@west-inx.com

Website: www.west-inx.com

EU-SD09120401-01

